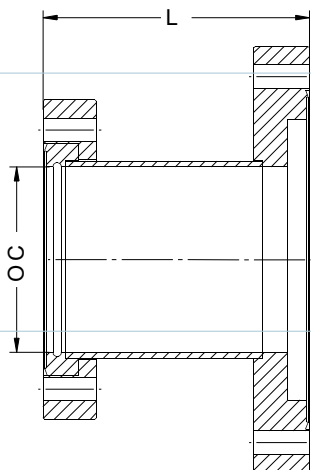
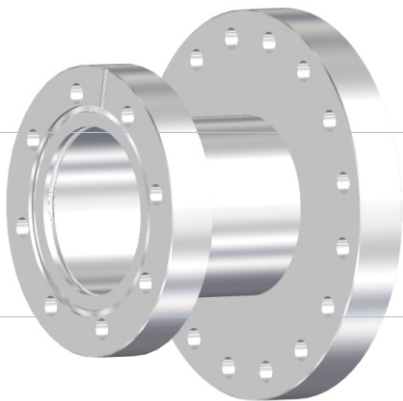


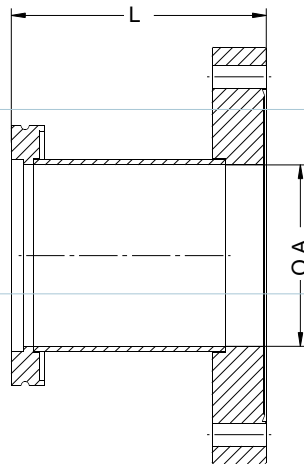
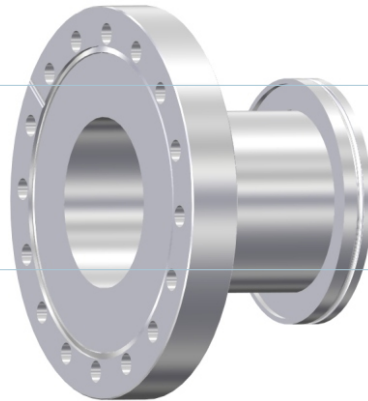
UHV
CF-STANDARDKOMPONENTEN

| CF Reduzierstücke | | Rohr 1.4404 | | 1.4306 geschmiedet | | 1.4429 ESU geschmiedet | |
|-------------------|------------|-------------|-----|--------------------|--------|------------------------|---------|
| Nennweite | Maße in mm | Ø C | L | Artikel | €/Stck | Artikel | €/Stck |
| DN 25/16 CF | | 16,0 | 45 | CF 25/16 | 95,- | CF 25/16-29 | 110,- |
| DN 40/16 CF | | 16,0 | 45 | CF 40/16 | 95,- | CF 40/16-29 | 110,- |
| DN 40/25 CF | | 25,0 | 60 | CF 40/25 | 110,- | CF 40/25-29 | 130,- |
| DN 50/16 CF | | 16,0 | 50 | CF 50/16 | 125,- | CF 50/16-29 | 140,- |
| DN 50/25 CF | | 25,0 | 65 | CF 50/25 | 140,- | CF 50/25-29 | 160,- |
| DN 50/40 CF | | 40,5 | 70 | CF 50/40 | 160,- | CF 50/40-29 | 180,- |
| DN 63/16 CF | | 16,0 | 50 | CF 63/16 | 120,- | CF 63/16-29 | 175,- |
| DN 63/25 CF | | 25,0 | 65 | CF 63/25 | 140,- | CF 63/25-29 | 195,- |
| DN 63/40 CF | | 40,5 | 70 | CF 63/40 | 155,- | CF 63/40-29 | 210,- |
| DN 63/50 CF | | 50,0 | 70 | CF 63/50 | 165,- | CF 63/50-29 | 270,- |
| DN 100/16 CF | | 16,0 | 55 | CF 100/16 | 185,- | CF 100/16-29 | 280,- |
| DN 100/25 CF | | 25,0 | 65 | CF 100/25 | 210,- | CF 100/25-29 | 300,- |
| DN 100/40 CF | | 40,5 | 75 | CF 100/40 | 215,- | CF 100/40-29 | 315,- |
| DN 100/50 CF | | 50,0 | 80 | CF 100/50 | 240,- | CF 100/50-29 | 380,- |
| DN 100/63 CF | | 72,0 | 85 | CF 100/63 | 270,- | CF 100/63-29 | 435,- |
| DN 125/16 CF | | 16,0 | 55 | CF 125/16 | 240,- | CF 125/16-29 | 340,- |
| DN 125/25 CF | | 25,0 | 70 | CF 125/25 | 260,- | CF 125/25-29 | 365,- |
| DN 125/40 CF | | 40,5 | 75 | CF 125/40 | 280,- | CF 125/40-29 | 380,- |
| DN 125/50 CF | | 50,0 | 85 | CF 125/50 | 290,- | CF 125/50-29 | 440,- |
| DN 125/63 CF | | 72,0 | 85 | CF 125/63 | 330,- | CF 125/63-29 | 500,- |
| DN 125/100 CF | | 104,0 | 90 | CF 125/100 | 420,- | CF 125/100-29 | 650,- |
| DN 160/16 CF | | 16,0 | 55 | CF 160/16 | 255,- | CF 160/16-29 | 420,- |
| DN 160/25 CF | | 25,0 | 70 | CF 160/25 | 270,- | CF 160/25-29 | 450,- |
| DN 160/40 CF | | 40,5 | 75 | CF 160/40 | 285,- | CF 160/40-29 | 460,- |
| DN 160/50 CF | | 50,0 | 85 | CF 160/50 | 310,- | CF 160/50-29 | 520,- |
| DN 160/63 CF | | 72,0 | 85 | CF 160/63 | 340,- | CF 160/63-29 | 570,- |
| DN 160/100 CF | | 104,0 | 90 | CF 160/100 | 430,- | CF 160/100-29 | 720,- |
| DN 160/125 CF | | 125,0 | 100 | CF 160/125 | 490,- | CF 160/125-29 | 840,- |
| DN 200/40 CF | | 40,5 | 80 | CF 200/40 | 420,- | CF 200/40-29 | 680,- |
| DN 200/50 CF | | 50,0 | 85 | CF 200/50 | 460,- | CF 200/50-29 | 750,- |
| DN 200/63 CF | | 72,0 | 85 | CF 200/63 | 470,- | CF 200/63-29 | 810,- |
| DN 200/100 CF | | 104,0 | 95 | CF 200/100 | 560,- | CF 200/100-29 | 960,- |
| DN 200/125 CF | | 125,0 | 100 | CF 200/125 | 620,- | CF 200/125-29 | 1.100,- |
| DN 200/160 CF | | 153,0 | 100 | CF 200/160 | 680,- | CF 200/160-29 | 1.200,- |
| DN 250/40 CF | | 40,5 | 80 | CF 250/40 | 520,- | CF 250/40-29 | 880,- |
| DN 250/50 CF | | 50,0 | 85 | CF 250/50 | 560,- | CF 250/50-29 | 940,- |
| DN 250/63 CF | | 72,0 | 85 | CF 250/63 | 570,- | CF 250/63-29 | 1.050,- |
| DN 250/100 CF | | 104,0 | 95 | CF 250/100 | 660,- | CF 250/100-29 | 1.180,- |
| DN 250/125 CF | | 125,0 | 100 | CF 250/125 | 720,- | CF 250/125-29 | 1.300,- |
| DN 250/160 CF | | 153,0 | 100 | CF 250/160 | 780,- | CF 250/160-29 | 1.420,- |
| DN 250/200 CF | | 200,0 | 105 | CF 250/200 | 980,- | CF 250/200-29 | 1.800,- |

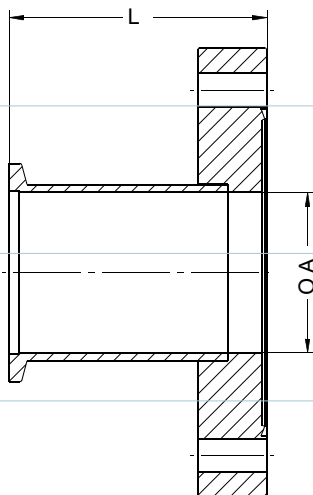
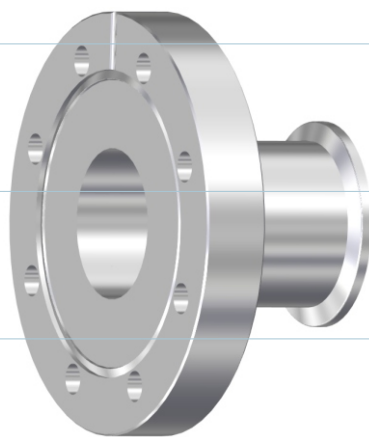


☐ kleinerer Flansch rotierbar

| CF/ISO-K Übergangsstücke | | Rohr 1.4404 | 1.4306 geschmiedet | | |
|--------------------------|------------|-------------|--------------------|--------------|--------|
| Nennweite | Maße in mm | Ø A | L | Artikel | €/Stck |
| DN 16 CF / DN 63 ISO-K | | 16 | 60 | CF 16/63-K | 120,- |
| DN 16 CF / DN 100 ISO-K | | 16 | 60 | CF 16/100-K | 140,- |
| DN 25 CF / DN 63 ISO-K | | 25 | 60 | CF 25/63-K | 145,- |
| DN 25 CF / DN 100 ISO-K | | 25 | 60 | CF 25/100-K | 165,- |
| DN 25 CF / DN 160 ISO-K | | 25 | 60 | CF 25/160-K | 210,- |
| DN 40 CF / DN 63 ISO-K | | 40,5 | 65 | CF 40/63-K | 155,- |
| DN 40 CF / DN 100 ISO-K | | 40,5 | 65 | CF 40/100-K | 175,- |
| DN 40 CF / DN 160 ISO-K | | 40,5 | 65 | CF 40/160-K | 220,- |
| DN 40 CF / DN 200 ISO-K | | 40,5 | 65 | CF 40/200-K | 320,- |
| DN 40 CF / DN 250 ISO-K | | 40,5 | 65 | CF 40/250-K | 390,- |
| DN 50 CF / DN 63 ISO-K | | 50 | 75 | CF 50/63-K | 175,- |
| DN 50 CF / DN 100 ISO-K | | 50 | 75 | CF 50/100-K | 195,- |
| DN 50 CF / DN 160 ISO-K | | 50 | 75 | CF 50/160-K | 240,- |
| DN 50 CF / DN 200 ISO-K | | 50 | 75 | CF 50/200-K | 340,- |
| DN 50 CF / DN 250 ISO-K | | 50 | 75 | CF 50/250-K | 410,- |
| DN 63 CF / DN 63 ISO-K | | 72 | 75 | CF 63/63-K | 155,- |
| DN 63 CF / DN 100 ISO-K | | 72 | 75 | CF 63/100-K | 210,- |
| DN 63 CF / DN 160 ISO-K | | 72 | 75 | CF 63/160-K | 260,- |
| DN 63 CF / DN 200 ISO-K | | 72 | 75 | CF 63/200-K | 360,- |
| DN 63 CF / DN 250 ISO-K | | 72 | 75 | CF 63/250-K | 430,- |
| DN 100 CF / DN 63 ISO-K | | 72 | 80 | CF 100/63-K | 225,- |
| DN 100 CF / DN 100 ISO-K | | 102 | 80 | CF 100/100-K | 240,- |
| DN 100 CF / DN 160 ISO-K | | 102 | 80 | CF 100/160-K | 355,- |
| DN 100 CF / DN 200 ISO-K | | 102 | 80 | CF 100/200-K | 450,- |
| DN 100 CF / DN 250 ISO-K | | 102 | 80 | CF 100/250-K | 520,- |
| DN 125 CF / DN 63 ISO-K | | 72 | 80 | CF 125/63-K | 260,- |
| DN 125 CF / DN 100 ISO-K | | 102 | 80 | CF 125/100-K | 295,- |
| DN 125 CF / DN 160 ISO-K | | 125 | 80 | CF 125/160-K | 420,- |
| DN 125 CF / DN 200 ISO-K | | 125 | 80 | CF 125/200-K | 550,- |
| DN 125 CF / DN 250 ISO-K | | 125 | 80 | CF 125/250-K | 590,- |
| DN 160 CF / DN 63 ISO-K | | 72 | 80 | CF 160/63-K | 280,- |
| DN 160 CF / DN 100 ISO-K | | 102 | 80 | CF 160/100-K | 310,- |
| DN 160 CF / DN 160 ISO-K | | 153 | 80 | CF 160/160-K | 360,- |
| DN 160 CF / DN 200 ISO-K | | 153 | 80 | CF 160/200-K | 570,- |
| DN 160 CF / DN 250 ISO-K | | 153 | 80 | CF 160/250-K | 650,- |
| DN 200 CF / DN 63 ISO-K | | 72 | 80 | CF 200/63-K | 400,- |
| DN 200 CF / DN 100 ISO-K | | 102 | 80 | CF 200/100-K | 450,- |
| DN 200 CF / DN 160 ISO-K | | 153 | 80 | CF 200/160-K | 500,- |
| DN 200 CF / DN 200 ISO-K | | 200 | 80 | CF 200/200-K | 580,- |
| DN 200 CF / DN 250 ISO-K | | 200 | 80 | CF 200/250-K | 780,- |
| DN 250 CF / DN 63 ISO-K | | 72 | 80 | CF 250/63-K | 520,- |
| DN 250 CF / DN 100 ISO-K | | 102 | 80 | CF 250/100-K | 560,- |
| DN 250 CF / DN 160 ISO-K | | 153 | 80 | CF 250/160-K | 690,- |
| DN 250 CF / DN 200 ISO-K | | 213 | 80 | CF 250/200-K | 750,- |
| DN 250 CF / DN 250 ISO-K | | 250 | 80 | CF 250/250-K | 650,- |



| CF-KF Übergangsstücke | KF 1.4404 | | | 1.4306 geschmiedet | | |
|-----------------------|-----------|------------|-----|--------------------|--------------------|--------|
| | Nennweite | Maße in mm | Ø A | L | Artikel | €/Stck |
| DN 16 CF / 16 KF | | | 16 | 40 | CFKF 16/16 | 65,- |
| DN 16 CF / 25 KF | | | 16 | 40 | CFKF 16/25 | 90,- |
| DN 16 CF / 40 KF | | | 16 | 40 | CFKF 16/40 | 90,- |
| DN 16 CF / 50 KF | | | 16 | 40 | CFKF 16/50 | 115,- |
| DN 25 CF / 16 KF | | | 16 | 40 | CFKF 25/16 | 80,- |
| DN 25 CF / 25 KF | | | 24 | 40 | CFKF 25/25 | 85,- |
| DN 25 CF / 40 KF | | | 25 | 40 | CFKF 25/40 | 115,- |
| DN 25 CF / 50 KF | | | 25 | 40 | CFKF 25/50 | 130,- |
| DN 40 CF / 16 KF | | | 16 | 40 | CFKF 40/16 | 80,- |
| DN 40 CF / 25 KF | | | 24 | 40 | CFKF 40/25 | 90,- |
| DN 40 CF / 40 KF | | | 40 | 40 | CFKF 40/40 | 95,- |
| DN 40 CF / 50 KF | | | 40 | 40 | CFKF 40/50 | 140,- |
| DN 50 CF / 16 KF | | | 16 | 40 | CFKF 50/16 | 110,- |
| DN 50 CF / 25 KF | | | 24 | 40 | CFKF 50/25 | 115,- |
| DN 50 CF / 40 KF | | | 40 | 40 | CFKF 50/40 | 135,- |
| DN 50 CF / 50 KF | | | 50 | 40 | CFKF 50/50 | 130,- |
| DN 63 CF / 16 KF | | | 16 | 40 | CFKF 63/16 | 110,- |
| DN 63 CF / 25 KF | | | 24 | 40 | CFKF 63/25 | 115,- |
| DN 63 CF / 40 KF | | | 40 | 40 | CFKF 63/40 | 130,- |
| DN 63 CF / 50 KF | | | 50 | 40 | CFKF 63/50 | 150,- |
| DN 100 CF / 16 KF | | | 16 | 40 | CFKF 100/16 | 170,- |
| DN 100 CF / 25 KF | | | 24 | 40 | CFKF 100/25 | 180,- |
| DN 100 CF / 40 KF | | | 40 | 40 | CFKF 100/40 | 190,- |
| DN 100 CF / 50 KF | | | 50 | 40 | CFKF 100/50 | 210,- |
| DN 125 CF / 16 KF | | | 16 | 40 | CFKF 125/16 | 210,- |
| DN 125 CF / 25 KF | | | 24 | 40 | CFKF 125/25 | 220,- |
| DN 125 CF / 40 KF | | | 40 | 40 | CFKF 125/40 | 240,- |
| DN 125CF / 50 KF | | | 50 | 40 | CFKF 125/50 | 260,- |
| DN 160 CF / 16 KF | | | 16 | 40 | CFKF 160/16 | 240,- |
| DN 160 CF / 25 KF | | | 24 | 40 | CFKF 160/25 | 250,- |
| DN 160 CF / 40 KF | | | 40 | 40 | CFKF 160/40 | 265,- |
| DN 160 CF / 50 KF | | | 50 | 40 | CFKF 160/50 | 280,- |

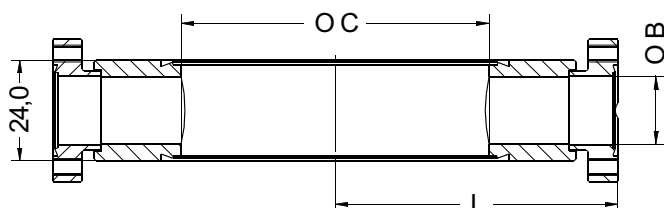


| CF Distanzflansche mit 1 x DN 16 CF Gewindebohrung | | | | | 1.4306 geschmiedet | | 1.4429 ESU geschmiedet | |
|--|------------|-----|-----|-----|--------------------|--------|------------------------|--------|
| Nennweite | Maße in mm | Ø B | L | Ø C | Artikel | €/Stck | Artikel | €/Stck |
| DN 40 CF | | 16 | 45 | 40 | DCF 40-1 | 150,- | DCF 40-1/29 | 180,- |
| DN 63 CF | | 16 | 67 | 72 | DCF 63-1 | 190,- | DCF 63-1/29 | 260,- |
| DN 100 CF | | 13 | 86 | 108 | DCF 100-1 | 260,- | DCF 100-1/29 | 370,- |
| DN 160 CF | | 16 | 111 | 156 | DCF 160-1 | 320,- | DCF 160-1/29 | 490,- |
| DN 200 CF | | 16 | 136 | 205 | DCF 200-1 | 500,- | DCF 200-1/29 | 760,- |
| DN 250 CF | | 16 | 163 | 250 | DCF 250-1 | 600,- | DCF 250-1/29 | 950,- |

| CF Distanzflansche mit 2 x DN 16 CF Gewindebohrungen | | | | | 1.4306 geschmiedet | | 1.4429 ESU geschmiedet | |
|--|------------|-----|-----|-----|--------------------|--------|------------------------|---------|
| Nennweite | Maße in mm | Ø B | L | Ø C | Artikel | €/Stck | Artikel | €/Stck |
| DN 40 CF | | 16 | 45 | 40 | DCF 40-2 | 220,- | DCF 40-2/29 | 270,- |
| DN 63 CF | | 16 | 67 | 72 | DCF 63-2 | 260,- | DCF 63-2/29 | 340,- |
| DN 100 CF | | 13 | 86 | 108 | DCF 100-2 | 330,- | DCF 100-2/29 | 450,- |
| DN 160 CF | | 16 | 111 | 156 | DCF 160-2 | 400,- | DCF 160-2/29 | 580,- |
| DN 200 CF | | 16 | 136 | 205 | DCF 200-2 | 600,- | DCF 200-2/29 | 880,- |
| DN 250 CF | | 16 | 163 | 250 | DCF 250-2 | 700,- | DCF 250-2/29 | 1.060,- |

| CF Distanzflansche mit 4 x DN 16 CF Gewindebohrungen | | | | | 1.4306 geschmiedet | | 1.4429 ESU geschmiedet | |
|--|------------|-----|-----|-----|--------------------|--------|------------------------|---------|
| Nennweite | Maße in mm | Ø B | L | Ø C | Artikel | €/Stck | Artikel | €/Stck |
| DN 40 CF | | 16 | 45 | 40 | DCF 40-4 | 370,- | DCF 40-4/29 | 450,- |
| DN 63 CF | | 16 | 67 | 72 | DCF 63-4 | 420,- | DCF 63-4/29 | 510,- |
| DN 100 CF | | 13 | 86 | 108 | DCF 100-4 | 490,- | DCF 100-4/29 | 620,- |
| DN 160 CF | | 16 | 111 | 156 | DCF 160-4 | 550,- | DCF 160-4/29 | 740,- |
| DN 200 CF | | 16 | 136 | 205 | DCF 200-4 | 820,- | DCF 200-4/29 | 1.100,- |
| DN 250 CF | | 16 | 163 | 250 | DCF 250-4 | 930,- | DCF 250-4/29 | 1.300,- |

| CF Distanzflansche mit 6 x DN 16 CF Gewindebohrungen | | | | | 1.4306 geschmiedet | | 1.4429 ESU geschmiedet | |
|--|------------|-----|-----|-----|--------------------|---------|------------------------|---------|
| Nennweite | Maße in mm | Ø B | L | Ø C | Artikel | €/Stck | Artikel | €/Stck |
| DN 40 CF | | 16 | 45 | 40 | DCF 40-6 | 520,- | DCF 40-6/29 | 600,- |
| DN 63 CF | | 16 | 67 | 72 | DCF 63-6 | 580,- | DCF 63-6/29 | 670,- |
| DN 100 CF | | 13 | 86 | 108 | DCF 100-6 | 650,- | DCF 100-6/29 | 780,- |
| DN 160 CF | | 16 | 111 | 156 | DCF 160-6 | 710,- | DCF 160-6/29 | 900,- |
| DN 200 CF | | 16 | 136 | 205 | DCF 200-6 | 1.050,- | DCF 200-6/29 | 1.330,- |
| DN 250 CF | | 16 | 163 | 250 | DCF 250-6 | 1.180,- | DCF 250-6/29 | 1.530,- |



| CF Zwischenstücke 1 Flansch rotierbar | | | | 1.4306 geschmiedet | | 1.4429 ESU geschmiedet | |
|---------------------------------------|------------|-----|-----|--------------------|---------|------------------------|---------|
| Nennweite | Maße in mm | L | Ø D | Artikel | €/Stck | Artikel | €/Stck |
| DN 16 CF | | 76 | 16 | ZCF 16 | 65,- | ZCF 16/29 | 70,- |
| DN 25 CF | | 100 | 25 | ZCF 25 | 105,- | ZCF 25/29 | 110,- |
| DN 40 CF | | 126 | 40 | ZCF 40 | 125,- | ZCF 40/29 | 130,- |
| DN 50 CF | | 150 | 50 | ZCF 50 | 195,- | ZCF 50/29 | 200,- |
| DN 63 CF | | 210 | 72 | ZCF 63 | 245,- | ZCF 63/29 | 330,- |
| DN 100 CF | | 270 | 104 | ZCF 100 | 405,- | ZCF 100/29 | 570,- |
| DN 125 CF | | 300 | 125 | ZCF 125 | 490,- | ZCF 125/29 | 750,- |
| DN 160 CF | | 334 | 153 | ZCF 160 | 610,- | ZCF 160/29 | 910,- |
| DN 200 CF | | 400 | 200 | ZCF 200 | 1.050,- | ZCF 200/29 | 1.550,- |
| DN 250 CF | | 500 | 250 | ZCF 250 | 1.400,- | ZCF 250/29 | 2.100,- |

☐ Rohr 1.4404

| CF Zwischenstücke 2 Festflansche | | | | 1.4306 geschmiedet | | 1.4429 ESU geschmiedet | |
|----------------------------------|------------|-----|-----|--------------------|---------|------------------------|---------|
| Nennweite | Maße in mm | L | Ø D | Artikel | €/Stck | Artikel | €/Stck |
| DN 16 CF | | 76 | 16 | ZCF 16F | 55,- | ZCF 16F/29 | 60,- |
| DN 25 CF | | 100 | 25 | ZCF 25F | 95,- | ZCF 25F/29 | 100,- |
| DN 40 CF | | 126 | 40 | ZCF 40F | 110,- | ZCF 40F/29 | 115,- |
| DN 50 CF | | 150 | 50 | ZCF 50F | 175,- | ZCF 50F/29 | 200,- |
| DN 63 CF | | 210 | 72 | ZCF 63F | 220,- | ZCF 63F/29 | 280,- |
| DN 100 CF | | 270 | 104 | ZCF 100F | 375,- | ZCF 100F/29 | 490,- |
| DN 125 CF | | 300 | 125 | ZCF 125F | 460,- | ZCF 125F/29 | 620,- |
| DN 160 CF | | 334 | 153 | ZCF 160F | 560,- | ZCF 160F/29 | 780,- |
| DN 200 CF | | 400 | 200 | ZCF 200F | 920,- | ZCF 200F/29 | 1.290,- |
| DN 250 CF | | 500 | 250 | ZCF 250F | 1.250,- | ZCF 250F/29 | 1.750,- |

☐ Rohr 1.4404

| CF Bögen 90° 1 Flansch rotierbar | | | | 1.4306 geschmiedet | | 1.4429 ESU geschmiedet | |
|----------------------------------|------------|-------|-----|--------------------|---------|------------------------|---------|
| Nennweite | Maße in mm | A | Ø D | Artikel | €/Stck | Artikel | €/Stck |
| DN 16 CF Bogen | | 38,0 | 16 | BCF 16 | 75,- | BCF 16/29 | 80,- |
| DN 25 CF Bogen | | 55,0 | 25 | BCF 25 | 110,- | BCF 25/29 | 120,- |
| DN 40 CF Bogen | | 63,0 | 40 | BCF 40 | 120,- | BCF 40/29 | 130,- |
| DN 50 CF Bogen | | 78,0 | 50 | BCF 50 | 200,- | BCF 50/29 | 230,- |
| DN 63 CF Bogen | | 105,0 | 72 | BCF 63 | 210,- | BCF 63/29 | 290,- |
| DN 100 CF Bogen | | 152,0 | 104 | BCF 100 | 380,- | BCF 100/29 | 550,- |
| DN 125 CF Bogen | | 197,0 | 125 | BCF 125 | 550,- | BCF 125/29 | 750,- |
| DN 160 CF Winkel | | 150,0 | 153 | WCF 160 | 690,- | WCF 160/29 | 1.100,- |
| DN 200 CF Winkel | | 175,0 | 200 | WCF 200 | 1.200,- | WCF 200/29 | 1.800,- |
| DN 250 CF Winkel | | 200,0 | 250 | WCF 250 | 1.600,- | WCF 250/29 | 2.400,- |

☐ Rohr 1.4404

| CF Bögen 90° 2 Festflansche | | | | 1.4306 geschmiedet | | 1.4429 ESU geschmiedet | |
|-----------------------------|------------|-------|-----|--------------------|---------|------------------------|---------|
| Nennweite | Maße in mm | A | Ø D | Artikel | €/Stck | Artikel | €/Stck |
| DN 16 CF Bogen | | 38,0 | 16 | BCF 16F | 70,- | BCF 16F/29 | 75,- |
| DN 25 CF Bogen | | 55,0 | 25 | BCF 25F | 100,- | BCF 25F/29 | 115,- |
| DN 40 CF Bogen | | 63,0 | 40 | BCF 40F | 110,- | BCF 40F/29 | 120,- |
| DN 50 CF Bogen | | 78,0 | 50 | BCF 50F | 160,- | BCF 50F/29 | 190,- |
| DN 63 CF Bogen | | 105,0 | 72 | BCF 63F | 180,- | BCF 63F/29 | 250,- |
| DN 100 CF Bogen | | 152,0 | 104 | BCF 100F | 350,- | BCF 100F/29 | 490,- |
| DN 125 CF Bogen | | 197,0 | 125 | BCF 125F | 460,- | BCF 125F/29 | 660,- |
| DN 160 CF Winkel | | 150,0 | 153 | WCF 160F | 650,- | WCF 160F/29 | 980,- |
| DN 200 CF Winkel | | 175,0 | 200 | WCF 200F | 1.100,- | WCF 200F/29 | 1.540,- |
| DN 250 CF Winkel | | 200,0 | 250 | WCF 250F | 1.450,- | WCF 250F/29 | 1.980,- |

☐ Rohr 1.4404

| CF Bögen 45° 1 Flansch rotierbar | | | | 1.4306 geschmiedet | | 1.4429 ESU geschmiedet | | |
|----------------------------------|------------|------|-------|--------------------|-----------------|------------------------|--------------------|--------|
| Nennweite | Maße in mm | B | R | Ø D | Artikel | €/Stck | Artikel | €/Stck |
| DN 16 CF | | 6,8 | 32,5 | 16 | BCF 16H | 90,- | BCF 16H/29 | 95,- |
| DN 25 CF | | 13,5 | 50 | 25 | BCF 25H | 135,- | BCF 25H/29 | 145,- |
| DN 40 CF | | 12,0 | 51,0 | 40 | BCF 40H | 140,- | BCF 40H/29 | 150,- |
| DN 50 CF | | 8,0 | 70,0 | 50 | BCF 50H | 230,- | BCF 50H/29 | 260,- |
| DN 63 CF | | 10,0 | 95,0 | 72 | BCF 63H | 240,- | BCF 63H/29 | 330,- |
| DN 100 CF | | 9,5 | 142,5 | 104 | BCF 100H | 420,- | BCF 100H/29 | 590,- |

☐ Flansche mit Gewindebohrungen, Rohr 1.4404

| CF Bögen 45° 2 Festflansche | | | | 1.4306 geschmiedet | | 1.4429 ESU geschmiedet | | |
|-----------------------------|------------|------|-------|--------------------|------------------|------------------------|---------------------|--------|
| Nennweite | Maße in mm | B | R | Ø D | Artikel | €/Stck | Artikel | €/Stck |
| DN 16 CF | | 6,8 | 32,5 | 16 | BCF 16HF | 80,- | BCF 16HF/29 | 85,- |
| DN 25 CF | | 13,5 | 50 | 25 | BCF 25HF | 115,- | BCF 25HF/29 | 125,- |
| DN 40 CF | | 12,0 | 51,0 | 40 | BCF 40HF | 120,- | BCF 40HF/29 | 130,- |
| DN 50 CF | | 8,0 | 70,0 | 50 | BCF 50HF | 190,- | BCF 50HF/29 | 220,- |
| DN 63 CF | | 10,0 | 95,0 | 72 | BCF 63HF | 210,- | BCF 63HF/29 | 300,- |
| DN 100 CF | | 9,5 | 142,5 | 104 | BCF 100HF | 390,- | BCF 100HF/29 | 560,- |

☐ Flansche mit Gewindebohrungen, Rohr 1.4404

| CF T je Achse 1 Flansch rotierbar | | | | 1.4306 geschmiedet | | 1.4429 ESU geschmiedet | |
|-----------------------------------|------------|-----|-----|--------------------|--------|------------------------|---------|
| Nennweite | Maße in mm | A | Ø D | Artikel | €/Stck | Artikel | €/Stck |
| DN 16 CF | | 38 | 16 | TCF 16 | 145,- | TCF 16/29 | 165,- |
| DN 40 CF | | 63 | 40 | TCF 40 | 215,- | TCF 40/29 | 235,- |
| DN 63 CF | | 105 | 72 | TCF 63 | 360,- | TCF 63/29 | 550,- |
| DN 100 CF | | 135 | 104 | TCF 100 | 630,- | TCF 100/29 | 990,- |
| DN 160 CF | | 167 | 153 | TCF 160 | 1150,- | TCF 160/29 | 1.750,- |
| DN 200 CF | | 200 | 200 | TCF 200 | aA | TCF 200/29 | aA |
| DN 250 CF | | 250 | 250 | TCF 250 | aA | TCF 250/29 | aA |

☐ Rohre 1.4404

| CF T 3 Festflansche | | | | 1.4306 geschmiedet | | 1.4429 ESU geschmiedet | |
|---------------------|------------|-----|-----|--------------------|---------|------------------------|---------|
| Nennweite | Maße in mm | A | Ø D | Artikel | €/Stck | Artikel | €/Stck |
| DN 16 CF | | 38 | 16 | TCF 16F | 125,- | TCF 16F/29 | 140,- |
| DN 40 CF | | 63 | 40 | TCF 40F | 190,- | TCF 40F/29 | 205,- |
| DN 63 CF | | 105 | 72 | TCF 63F | 300,- | TCF 63F/29 | 440,- |
| DN 100 CF | | 135 | 104 | TCF 100F | 550,- | TCF 100F/29 | 810,- |
| DN 160 CF | | 167 | 153 | TCF 160F | 1.050,- | TCF 160F/29 | 1.420,- |
| DN 200 CF | | 200 | 200 | TCF 200F | aA | TCF 200F/29 | aA |
| DN 250 CF | | 250 | 250 | TCF 250F | aA | TCF 250F/29 | aA |


☐ Rohre 1.4404

| CF Reduzier-T je Achse 1 Flansch rotierbar | | | | | | 1.4306 geschmiedet | | 1.4429 ESU geschmiedet | |
|--|------------|-----|-----|------|------|---------------------|---------|------------------------|---------|
| Nennweite | Maße in mm | A | L | Ø D1 | Ø D2 | Artikel | €/Stck | Artikel | €/Stck |
| DN 40/16 CF | | 38 | 76 | 40 | 16 | RTCF 40/16 | 210,- | RTCF 40/16-29 | 250,- |
| DN 63/40 CF | | 63 | 126 | 72 | 40 | RTCF 63/40 | 340,- | RTCF 63/40-29 | 435,- |
| DN 100/40 CF | | 85 | 210 | 104 | 40 | RTCF 100/40 | 480,- | RTCF 100/40-29 | 590,- |
| DN 100/63 CF | | 90 | 210 | 104 | 72 | RTCF 100/63 | 560,- | RTCF 100/63-29 | 740,- |
| DN 160/40 CF | | 120 | 250 | 153 | 40 | RTCF 160/40 | 680,- | RTCF 160/40-29 | 1.040,- |
| DN 160/63 CF | | 125 | 250 | 153 | 72 | RTCF 160/63 | 750,- | RTCF 160/63-29 | 1.200,- |
| DN 160/100 CF | | 125 | 250 | 153 | 104 | RTCF 160/100 | 860,- | RTCF 160/100-29 | 1.350,- |
| DN 200/40 CF | | 150 | 250 | 200 | 40 | RTCF 200/40 | 1.260,- | RTCF 200/40-29 | 1.680,- |
| DN 200/63 CF | | 150 | 250 | 200 | 72 | RTCF 200/63 | 1.380,- | RTCF 200/63-29 | 1.860,- |
| DN 200/100 CF | | 150 | 250 | 200 | 104 | RTCF 200/100 | 1.500,- | RTCF 200/100-29 | 2.080,- |
| DN 200/160 CF | | 150 | 300 | 200 | 153 | RTCF 200/160 | 1.690,- | RTCF 200/160-29 | 2.380,- |
| DN 250/40 CF | | 170 | 250 | 250 | 40 | RTCF 250/40 | 1.590,- | RTCF 250/40-29 | 2.460,- |
| DN 250/63 CF | | 170 | 250 | 250 | 72 | RTCF 250/63 | 1.680,- | RTCF 250/63-29 | 2.580,- |
| DN 250/100 CF | | 170 | 250 | 250 | 104 | RTCF 250/100 | 1.800,- | RTCF 250/100-29 | 2.760,- |
| DN 250/160 CF | | 170 | 300 | 250 | 153 | RTCF 250/160 | 1.980,- | RTCF 250/160-29 | 3.120,- |

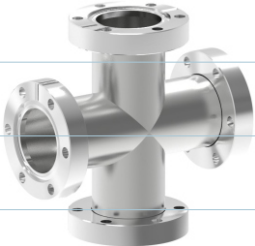
☐ Rohre 1.4404

| CF Reduzier-T 3 Festflansche | | | | | | 1.4306 geschmiedet | | 1.4429 ESU geschmiedet | |
|------------------------------|------------|-----|-----|------|------|----------------------|---------|-------------------------|---------|
| Nennweite | Maße in mm | A | L | Ø D1 | Ø D2 | Artikel | €/Stck | Artikel | €/Stck |
| DN 40/16 CF | | 38 | 76 | 40 | 16 | RTCF 40/16F | 195,- | RTCF 40/16F-29 | 220,- |
| DN 63/40 CF | | 63 | 126 | 72 | 40 | RTCF 63/40F | 300,- | RTCF 63/40F-29 | 410,- |
| DN 100/40 CF | | 85 | 210 | 104 | 40 | RTCF 100/40F | 440,- | RTCF 100/40F-29 | 630,- |
| DN 100/63 CF | | 90 | 210 | 104 | 72 | RTCF 100/63F | 485,- | RTCF 100/63F-29 | 730,- |
| DN 160/40 CF | | 120 | 250 | 153 | 40 | RTCF 160/40F | 620,- | RTCF 160/40F-29 | 940,- |
| DN 160/63 CF | | 125 | 250 | 153 | 72 | RTCF 160/63F | 665,- | RTCF 160/63F-29 | 1.050,- |
| DN 160/100 CF | | 125 | 250 | 153 | 104 | RTCF 160/100F | 770,- | RTCF 160/100F-29 | 1.190,- |
| DN 200/40 CF | | 150 | 250 | 200 | 40 | RTCF 200/40F | 1.080,- | RTCF 200/40F-29 | 1.740,- |
| DN 200/63 CF | | 150 | 250 | 200 | 72 | RTCF 200/63F | 1.140,- | RTCF 200/63F-29 | 1.860,- |
| DN 200/100 CF | | 150 | 250 | 200 | 104 | RTCF 200/100F | 1.280,- | RTCF 200/100F-29 | 2.050,- |
| DN 200/160 CF | | 150 | 300 | 200 | 153 | RTCF 200/160F | 1.430,- | RTCF 200/160F-29 | 1.890,- |
| DN 250/40 CF | | 170 | 250 | 250 | 40 | RTCF 250/40F | 1.380,- | RTCF 250/40F-29 | 2.270,- |
| DN 250/63 CF | | 170 | 250 | 250 | 72 | RTCF 250/63F | 1.420,- | RTCF 250/63F-29 | 1.980,- |
| DN 250/100 CF | | 170 | 250 | 250 | 104 | RTCF 250/100F | 1.550,- | RTCF 250/100F-29 | 2.380,- |
| DN 250/160 CF | | 170 | 300 | 250 | 153 | RTCF 250/160F | 1.740,- | RTCF 250/160F-29 | 2.760,- |

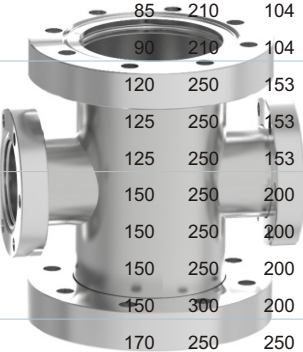
☐ Rohre 1.4404

| CF Kreuz je Achse 1 Flansch rotierbar | | | | 1.4306 geschmiedet | | 1.4429 ESU geschmiedet | |
|---------------------------------------|---|-----|-----|--------------------|---------|------------------------|---------|
| Nennweite | Maße in mm | A | Ø D | Artikel | €/Stck | Artikel | €/Stck |
| DN 16 CF |  | 38 | 16 | KCF 16 | 180,- | KCF 16/29 | 200,- |
| DN 40 CF | | 63 | 40 | KCF 40 | 300,- | KCF 40/29 | 350,- |
| DN 63 CF | | 105 | 72 | KCF 63 | 530,- | KCF 63/29 | 760,- |
| DN 100 CF | | 135 | 104 | KCF 100 | 890,- | KCF 100/29 | 1.350,- |
| DN 160 CF | | 167 | 153 | KCF 160 | 1.450,- | KCF 160/29 | 2.200,- |
| DN 200 CF | | 200 | 200 | KCF 200 | aA | KCF 200/29 | aA |
| DN 250 CF | | 250 | 250 | KCF 250 | aA | KCF 250/29 | aA |

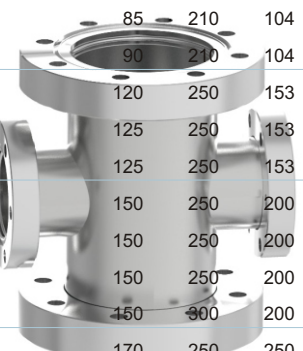
☐ Rohre 1.4404

| CF Kreuz 4 Festflansche | | | | 1.4306 geschmiedet | | 1.4429 ESU geschmiedet | |
|-------------------------|---|-----|-----|--------------------|---------|------------------------|---------|
| Nennweite | Maße in mm | A | Ø D | Artikel | €/Stck | Artikel | €/Stck |
| DN 16 CF |  | 38 | 16 | KCF 16F | 160,- | KCF 16F/29 | 175,- |
| DN 40 CF | | 63 | 40 | KCF 40F | 290,- | KCF 40F/29 | 320,- |
| DN 63 CF | | 105 | 72 | KCF 63F | 450,- | KCF 63F/29 | 650,- |
| DN 100 CF | | 135 | 104 | KCF 100F | 800,- | KCF 100F/29 | 1.180,- |
| DN 160 CF | | 167 | 153 | KCF 160F | 1.300,- | KCF 160F/29 | 1.850,- |
| DN 200 CF | | 200 | 200 | KCF 200F | aA | KCF 200F/29 | aA |
| DN 250 CF | | 250 | 250 | KCF 250F | aA | KCF 250F/29 | aA |

☐ Rohre 1.4404

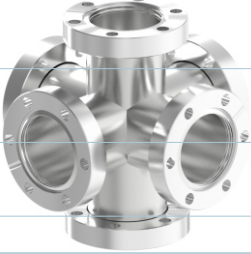
| CF Reduzier-Kreuz je Achse 1 Flansch rot. | | | | | | 1.4306 geschmiedet | | 1.4429 ESU geschmiedet | |
|---|---|-----|-----|------|------|---------------------|---------|------------------------|---------|
| Nennweite | Maße in mm | A | L | Ø D1 | Ø D2 | Artikel | €/Stck | Artikel | €/Stck |
| DN 40/16 CF |  | 38 | 76 | 40 | 16 | RKCF 40/16 | 280,- | RKCF 40/16-29 | 330,- |
| DN 63/40 CF | | 63 | 126 | 72 | 40 | RKCF 63/40 | 440,- | RKCF 63/40-29 | 550,- |
| DN 100/40 CF | | 85 | 210 | 104 | 40 | RKCF 100/40 | 590,- | RKCF 100/40-29 | 720,- |
| DN 100/63 CF | | 90 | 210 | 104 | 72 | RKCF 100/63 | 690,- | RKCF 100/63-29 | 950,- |
| DN 160/40 CF | | 120 | 250 | 153 | 40 | RKCF 160/40 | 790,- | RKCF 160/40-29 | 1.185,- |
| DN 160/63 CF | | 125 | 250 | 153 | 72 | RKCF 160/63 | 910,- | RKCF 160/63-29 | 1.390,- |
| DN 160/100 CF | | 125 | 250 | 153 | 104 | RKCF 160/100 | 1.100,- | RKCF 160/100-29 | 1.690,- |
| DN 200/40 CF | | 150 | 250 | 200 | 40 | RKCF 200/40 | 1.420,- | RKCF 200/40-29 | 1.860,- |
| DN 200/63 CF | | 150 | 250 | 200 | 72 | RKCF 200/63 | 1.550,- | RKCF 200/63-29 | 2.100,- |
| DN 200/100 CF | | 150 | 250 | 200 | 104 | RKCF 200/100 | 1.790,- | RKCF 200/100-29 | 2.460,- |
| DN 200/160 CF | | 150 | 300 | 200 | 153 | RKCF 200/160 | 2.100,- | RKCF 200/160-29 | 2.980,- |
| DN 250/40 CF | | 170 | 250 | 250 | 40 | RKCF 250/40 | 1.740,- | RKCF 250/40-29 | 2.580,- |
| DN 250/63 CF | | 170 | 250 | 250 | 72 | RKCF 250/63 | 1.870,- | RKCF 250/63-29 | 2.850,- |
| DN 250/100 CF | | 170 | 250 | 250 | 104 | RKCF 250/100 | 2.100,- | RKCF 250/100-29 | 3.250,- |
| DN 250/160 CF | | 170 | 300 | 250 | 153 | RKCF 250/160 | 2.400,- | RKCF 250/160-29 | 3.780,- |

☐ Rohre 1.4404

| CF Reduzier-Kreuz 4 Festflansche | | | | | | 1.4306 geschmiedet | | 1.4429 ESU geschmiedet | |
|----------------------------------|---|-----|-----|------|------|----------------------|---------|-------------------------|---------|
| Nennweite | Maße in mm | A | L | Ø D1 | Ø D2 | Artikel | €/Stck | Artikel | €/Stck |
| DN 40/16 CF |  | 38 | 76 | 40 | 16 | RKCF 40/16F | 265,- | RKCF 40/16F-29 | 300,- |
| DN 63/40 CF | | 63 | 126 | 72 | 40 | RKCF 63/40F | 400,- | RKCF 63/40F-29 | 520,- |
| DN 100/40 CF | | 85 | 210 | 104 | 40 | RKCF 100/40F | 540,- | RKCF 100/40F-29 | 750,- |
| DN 100/63 CF | | 90 | 210 | 104 | 72 | RKCF 100/63F | 620,- | RKCF 100/63F-29 | 930,- |
| DN 160/40 CF | | 120 | 250 | 153 | 40 | RKCF 160/40F | 740,- | RKCF 160/40F-29 | 1.080,- |
| DN 160/63 CF | | 125 | 250 | 153 | 72 | RKCF 160/63F | 810,- | RKCF 160/63F-29 | 1.260,- |
| DN 160/100 CF | | 125 | 250 | 153 | 104 | RKCF 160/100F | 1.020,- | RKCF 160/100F-29 | 1.540,- |
| DN 200/40 CF | | 150 | 250 | 200 | 40 | RKCF 200/40F | 1.260,- | RKCF 200/40F-29 | 1.890,- |
| DN 200/63 CF | | 150 | 250 | 200 | 72 | RKCF 200/63F | 1.320,- | RKCF 200/63F-29 | 2.100,- |
| DN 200/100 CF | | 150 | 250 | 200 | 104 | RKCF 200/100F | 1.560,- | RKCF 200/100F-29 | 2.440,- |
| DN 200/160 CF | | 150 | 300 | 200 | 153 | RKCF 200/160F | 1.860,- | RKCF 200/160F-29 | 2.880,- |
| DN 250/40 CF | | 170 | 250 | 250 | 40 | RKCF 250/40F | 1.500,- | RKCF 250/40F-29 | 2.380,- |
| DN 250/63 CF | | 170 | 250 | 250 | 72 | RKCF 250/63F | 1.620,- | RKCF 250/63F-29 | 2.640,- |
| DN 250/100 CF | | 170 | 250 | 250 | 104 | RKCF 250/100F | 1.870,- | RKCF 250/100F-29 | 2.980,- |
| DN 250/160 CF | | 170 | 300 | 250 | 153 | RKCF 250/160F | 2.140,- | RKCF 250/160F-29 | 3.420,- |

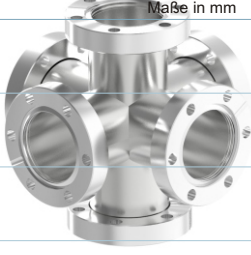
☐ Rohre 1.4404

CF Doppel-Kreuz je Achse 1 Flansch rotierbar

| Nennweite | Maße in mm | A | Ø D | 1.4306 geschmiedet | | 1.4429 ESU geschmiedet | |
|-----------|---|-----|-----|--------------------|---------|------------------------|---------|
| | | | | Artikel | €/Stck | Artikel | €/Stck |
| DN 16 CF |  | 38 | 16 | DKCF 16 | 270,- | DKCF 16/29 | 300,- |
| DN 40 CF | | 63 | 40 | DKCF 40 | 380,- | DKCF 40/29 | 450,- |
| DN 63 CF | | 105 | 72 | DKCF 63 | 690,- | DKCF 63/29 | 990,- |
| DN 100 CF | | 135 | 104 | DKCF 100 | 1.100,- | DKCF 100/29 | 1.650,- |
| DN 160 CF | | 167 | 153 | DKCF 160 | 1.790,- | DKCF 160/29 | 2.600,- |
| DN 200 CF | | 200 | 200 | DKCF 200 | aA | DKCF 200/29 | aA |
| DN 250 CF | | 250 | 250 | DKCF 250 | aA | DKCF 250/29 | aA |

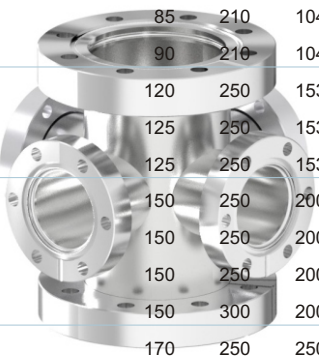
☐ Rohre 1.4404

CF Doppel-Kreuz 6 Festflansche

| Nennweite | Maße in mm | A | Ø D | 1.4306 geschmiedet | | 1.4429 ESU geschmiedet | |
|-----------|---|-----|-----|--------------------|---------|------------------------|---------|
| | | | | Artikel | €/Stck | Artikel | €/Stck |
| DN 16 CF |  | 38 | 16 | DKCF 16F | 250,- | DKCF 16F/29 | 280,- |
| DN 40 CF | | 63 | 40 | DKCF 40F | 350,- | DKCF 40F/29 | 420,- |
| DN 63 CF | | 105 | 72 | DKCF 63F | 640,- | DKCF 63F/29 | 890,- |
| DN 100 CF | | 135 | 104 | DKCF 100F | 1.040,- | DKCF 100F/29 | 1.450,- |
| DN 160 CF | | 167 | 153 | DKCF 160F | 1.590,- | DKCF 160F/29 | 2.250,- |
| DN 200 CF | | 200 | 200 | DKCF 200F | aA | DKCF 200F/29 | aA |
| DN 250 CF | | 250 | 250 | DKCF 250F | aA | DKCF 250F/29 | aA |

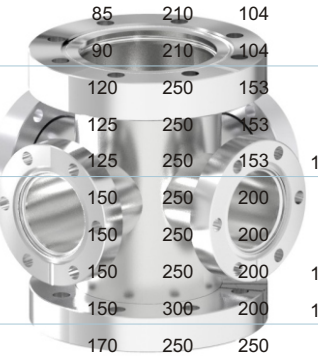
☐ Rohre 1.4404

CF Reduzier-Doppel-Kreuz je Achse 1 Flansch rotierbar

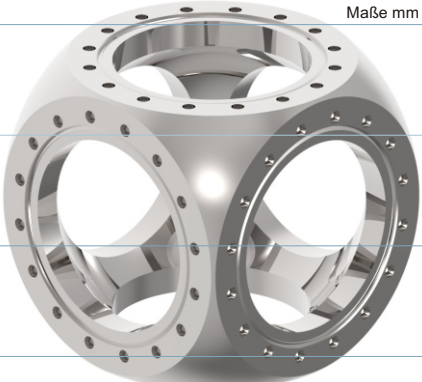
| Nennweite | Maße in mm | A | L | Ø D1 | Ø D2 | 1.4306 geschmiedet | | 1.4429 ESU geschmiedet | |
|---------------|---|-----|-----|------|------|----------------------|---------|-------------------------|---------|
| | | | | | | Artikel | €/Stck | Artikel | €/Stck |
| DN 40/16 CF |  | 38 | 76 | 40 | 16 | RDKCF 40/16 | 420,- | RDKCF 40/16-29 | 490,- |
| DN 63/40 CF | | 63 | 126 | 72 | 40 | RDKCF 63/40 | 650,- | RDKCF 63/40-29 | 810,- |
| DN 100/40 CF | | 85 | 210 | 104 | 40 | RDKCF 100/40 | 810,- | RDKCF 100/40-29 | 980,- |
| DN 100/63 CF | | 90 | 210 | 104 | 72 | RDKCF 100/63 | 990,- | RDKCF 100/63-29 | 1.400,- |
| DN 160/40 CF | | 120 | 250 | 153 | 40 | RDKCF 160/40 | 1.050,- | RDKCF 160/40-29 | 1.450,- |
| DN 160/63 CF | | 125 | 250 | 153 | 72 | RDKCF 160/63 | 1.250,- | RDKCF 160/63-29 | 1.890,- |
| DN 160/100 CF | | 125 | 250 | 153 | 104 | RDKCF 160/100 | 1.610,- | RDKCF 160/100-29 | 2.450,- |
| DN 200/40 CF | | 150 | 250 | 200 | 40 | RDKCF 200/40 | 1.700,- | RDKCF 200/40-29 | 2.160,- |
| DN 200/63 CF | | 150 | 250 | 200 | 72 | RDKCF 200/63 | 1.960,- | RDKCF 200/63-29 | 2.700,- |
| DN 200/100 CF | | 150 | 250 | 200 | 104 | RDKCF 200/100 | 2.400,- | RDKCF 200/100-29 | 3.360,- |
| DN 200/160 CF | | 150 | 300 | 200 | 153 | RDKCF 200/160 | 2.980,- | RDKCF 200/160-29 | 4.380,- |
| DN 250/40 CF | | 170 | 250 | 250 | 40 | RDKCF 250/40 | 2.070,- | RDKCF 250/40-29 | 2.940,- |
| DN 250/63 CF | | 170 | 250 | 250 | 72 | RDKCF 250/63 | 2.300,- | RDKCF 250/63-29 | 3.470,- |
| DN 250/100 CF | | 170 | 250 | 250 | 104 | RDKCF 250/100 | 2.760,- | RDKCF 250/100-29 | 4.140,- |
| DN 250/160 CF | | 170 | 300 | 250 | 153 | RDKCF 250/160 | 3.360,- | RDKCF 250/160-29 | 5.100,- |

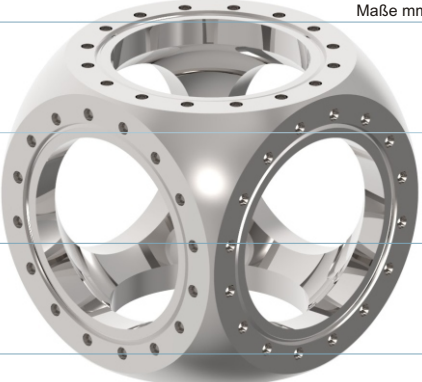
☐ Rohre 1.4404

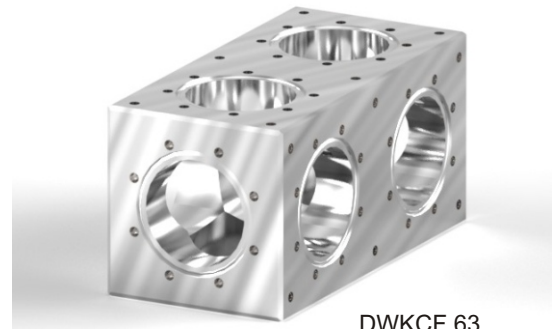
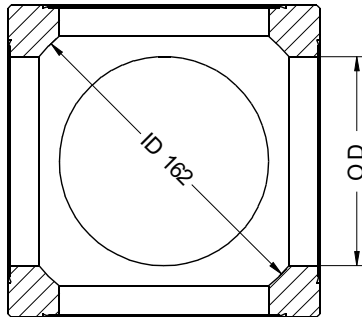
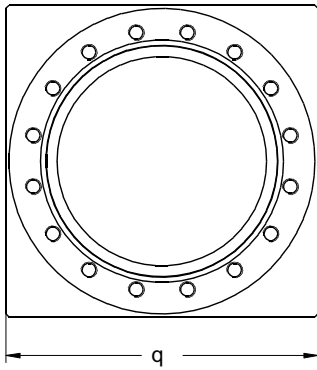
CF Reduzier-Doppel-Kreuz 6 Festflansche

| Nennweite | Maße in mm | A | L | Ø D1 | Ø D2 | 1.4306 geschmiedet | | 1.4429 ESU geschmiedet | |
|---------------|---|-----|-----|------|------|-----------------------|---------|--------------------------|---------|
| | | | | | | Artikel | €/Stck | Artikel | €/Stck |
| DN 40/16 CF |  | 38 | 76 | 40 | 16 | RDKCF 40/16F | 390,- | RDKCF 40/16F-29 | 460,- |
| DN 63/40 CF | | 63 | 126 | 72 | 40 | RDKCF 63/40F | 600,- | RDKCF 63/40F-29 | 770,- |
| DN 100/40 CF | | 85 | 210 | 104 | 40 | RDKCF 100/40F | 750,- | RDKCF 100/40F-29 | 990,- |
| DN 100/63 CF | | 90 | 210 | 104 | 72 | RDKCF 100/63F | 890,- | RDKCF 100/63F-29 | 1.350,- |
| DN 160/40 CF | | 120 | 250 | 153 | 40 | RDKCF 160/40F | 980,- | RDKCF 160/40F-29 | 1.380,- |
| DN 160/63 CF | | 125 | 250 | 153 | 72 | RDKCF 160/63F | 1.100,- | RDKCF 160/63F-29 | 1.710,- |
| DN 160/100 CF | | 125 | 250 | 153 | 104 | RDKCF 160/100F | 1.500,- | RDKCF 160/100F-29 | 2.200,- |
| DN 200/40 CF | | 150 | 250 | 200 | 40 | RDKCF 200/40F | 1.540,- | RDKCF 200/40F-29 | 2.240,- |
| DN 200/63 CF | | 150 | 250 | 200 | 72 | RDKCF 200/63F | 1.680,- | RDKCF 200/63F-29 | 2.680,- |
| DN 200/100 CF | | 150 | 250 | 200 | 104 | RDKCF 200/100F | 2.140,- | RDKCF 200/100F-29 | 3.300,- |
| DN 200/160 CF | | 150 | 300 | 200 | 153 | RDKCF 200/160F | 2.630,- | RDKCF 200/160F-29 | 4.140,- |
| DN 250/40 CF | | 170 | 250 | 250 | 40 | RDKCF 250/40F | 1.840,- | RDKCF 250/40F-29 | 2.760,- |
| DN 250/63 CF | | 170 | 250 | 250 | 72 | RDKCF 250/63F | 2.030,- | RDKCF 250/63F-29 | 3.250,- |
| DN 250/100 CF | | 170 | 250 | 250 | 104 | RDKCF 250/100F | 2.520,- | RDKCF 250/100F-29 | 3.830,- |
| DN 250/160 CF | | 170 | 300 | 250 | 153 | RDKCF 250/160F | 3.080,- | RDKCF 250/160F-29 | 4.670,- |

☐ Rohre 1.4404

| CF Würfel Clusterflansche | | 1.4429 ESU geschmiedet | | | | | | |
|---------------------------|---|------------------------|-----|-----|--------------|-----------------|-----------------|------|
| Nennweite | Maße mm | Innen-Ø | Ø D | £ | Gewicht [kg] | Artikel | €/Stck | |
| DN 16 CF |  | 28 | 16 | 34 | 0,1 | WKCF 16 | 230,- | |
| DN 40 CF | | 64 | 38 | 70 | 1,1 | WKCF 40 | 680,- | |
| DN 63 CF | | 120 | 70 | 125 | 5,6 | WKCF 63 | 1.850,- | |
| DN 100 CF | | 162 | 104 | 155 | 8,1 | WKCF 100 | 3.100,- | |
| DN 160 CF | | 232 | 154 | 210 | 15,0 | WKCF 160 | 5.950,- | |
| DN 200 CF | | 300 | 200 | 260 | 23,5 | WKCF 200 | a.A. | |
| DN 250 CF | | 350 | 250 | 310 | 46,0 | WKCF 250 | a.A. | |
| DN 16 CF | | --- | --- | 16 | 34x34x68 | 20,0 | DWKCF 16 | a.A. |
| DN 40 CF | | --- | --- | 38 | 70x70x140 | 2,0 | DWKCF 40 | a.A. |
| DN 63 CF | | --- | --- | 70 | 125x125x250 | 10,0 | DWKCF 63 | a.A. |

| CF Würfel Clusterflansche | | 1.4306 geschmiedet | | | | | | |
|---------------------------|--|--------------------|-----|-----|--------------|----------------------|----------------------|------|
| Nennweite | Maße mm | Innen-Ø | Ø D | £ | Gewicht [kg] | Artikel | €/Stck | |
| DN 16 CF |  | 28 | 16 | 34 | 0,1 | WKCF 16 / 06 | 230,- | |
| DN 40 CF | | 64 | 38 | 70 | 1,1 | WKCF 40 / 06 | 530,- | |
| DN 63 CF | | 120 | 70 | 125 | 5,6 | WKCF 63 / 06 | 1.350,- | |
| DN 100 CF | | 162 | 104 | 155 | 8,1 | WKCF 100 / 06 | 2.300,- | |
| DN 160 CF | | 232 | 154 | 210 | 15,0 | WKCF 160 / 06 | 4.400,- | |
| DN 200 CF | | 300 | 200 | 260 | 23,5 | WKCF 200 / 06 | a.A. | |
| DN 250 CF | | 350 | 250 | 310 | 46,0 | WKCF 250 / 06 | a.A. | |
| DN 16 CF | | --- | --- | 16 | 34x34x68 | 20,0 | DWKCF 16 / 06 | a.A. |
| DN 40 CF | | --- | --- | 40 | 80x80x150 | 2,0 | DWKCF 40 / 06 | a.A. |
| DN 63 CF | | --- | --- | 70 | 125x125x250 | 10,0 | DWKCF 63 / 06 | a.A. |

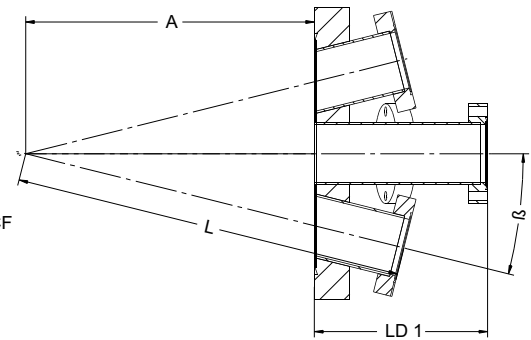
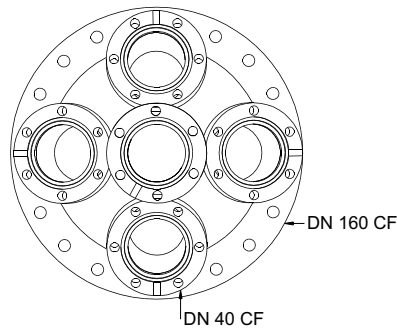


| CF Clusterflansche | | Rohre 1.4404 | | | | | 1.4306 geschmiedet | |
|--------------------|----------------|--------------|------------|-----|------|-----|-----------------------|---------|
| Basisflansch | Quellenflansch | ° | Maße in mm | A | LD 1 | L | Artikel | €/Stck |
| DN 100 CF | 3 x DN 40 CF | 12 | | 135 | | 215 | CLF 100-40/3 | 600,- |
| DN 100 CF | 4 x DN 40 CF | 12 | | 135 | | 250 | CLF 100-40/4 | 750,- |
| DN 160 CF | 3 x DN 40 CF | 15 | | 167 | | 260 | CLF 160-40/3 | 700,- |
| DN 160 CF | 4 x DN 40 CF | 15 | | 167 | | 260 | CLF 160-40/4 | 850,- |
| DN 160 CF | 3+1 x DN 40 CF | 15 | | 167 | 115 | 260 | CLF 160-40/3+1 | 850,- |
| DN 160 CF | 4+1 x DN 40 CF | 15 | | 167 | 115 | 260 | CLF 160-40/4+1 | 1.000,- |

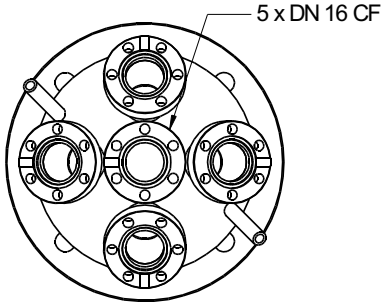
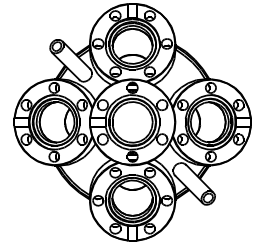
☐ andere Flansch-Kombinationen, -Längen und -Winkel auf Anfrage



CLF 160-40/4+1

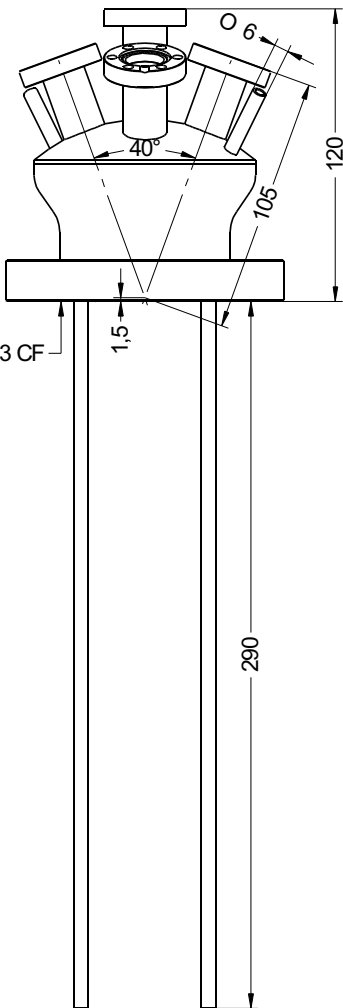
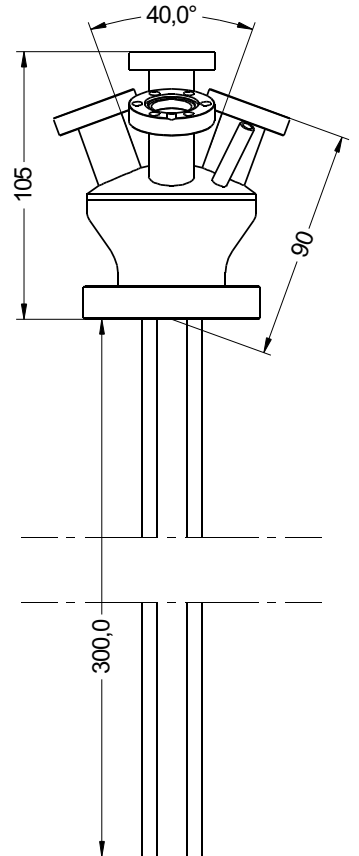


| CF Clusterflansche | | | | 1.4306 geschmiedet | |
|--------------------|----------------|----------------|----------|---------------------|---------|
| Basisflansch | Quellenflansch | Wasserkühlung | Winkel ° | Artikel | €/Stck |
| DN 40 CF | 5 x DN 16 CF | -- | 20° | CLF 40-16/5 | 815,- |
| DN 40 CF | 5 x DN 16 CF | 2 x Rohr 6 x 1 | 20° | CLFW 40-16/5 | 925,- |
| DN 63 CF | 5 x DN 16 CF | -- | 20° | CLF 63-16/5 | 1.055,- |
| DN 63 CF | 5 x DN 16 CF | 2 x Rohr 6 x 1 | 20° | CLFW 63-16/5 | 1.265,- |



CLFW 63-16/5

CLFW 40-16/5



CLF 40-16/5



CLF 63-16/5